

**ROTOMAX<sup>®</sup> LOAD TURNING DEVICES**

Turning of moulding boxes up to 200 t – safe and efficient



**ROTOMAX**<sup>®</sup>

*VETTER – Lifts and moves.*

## ROTOMAX® LOAD TURNING DEVICES

Turning of moulding boxes up to 200 t  
– safe and efficient

With the ROTOMAX® load turning device you can turn filled or empty moulding boxes (e.g. at the refractory dressing, core inserting and assembling) **fast and safely**. You can take your moulding boxes easily at the outside trunnions by chains or belts. For **more efficiency** several moulding boxes can be stacked and turned together.

ROTOMAX® load turning devices offer a large variety of options to meet your individual requirements. The ROTOMAX® load turning device guarantees a fast return on investment as it can be operated by only one single person.



### OPTIONAL CONFIGURATIONS:



#### Load balancing

In order to bring the moulding boxes in a balanced position for the turning process, both driving units can easily be moved by finger tip. This ensures a safe turning process but also helps to easily assemble both box halves on top of each other.



#### Adjustment

The distance of the driving units is manually or electrically adjustable according to different widths of the moulding boxes.



#### Radio remote control

Thanks to the wireless radio remote control for all functions, you can keep a safe distance during the entire turning process. No cabling will disturb the turning process.



# SAFE AND EFFICIENT

## REFERENCES



	Capacity:	2 t
	Belt distance:	900 – 2,000 mm
	Adjustment:	electrical



	Capacity:	12 t
	Belt distance:	1,700 – 5,000 mm
	Adjustment:	electrical



	Capacity:	30 t
	Belt distance:	1,200 – 5,500 mm
	Adjustment:	electrical



	Capacity:	50 t
	Belt distance:	2,500 – 7,200 mm
	Adjustment:	electrical



	Capacity:	100 t
	Belt distance:	2,900 – 7,000 mm
	Adjustment:	electrical



	Capacity:	125 t
	Belt distance:	3,050 – 8,800 mm
	Adjustment:	electrical

OPERATING MODE

## OPERATING MODE



The **ROTOMAX®** makes your bulky workpieces turn safely and smoothly. The turning operation can be stopped in any position for control or rectification of the workpiece.

# SAFE AND EFFICIENT



Find us on  
YouTube!

## LIFTING BEAM for casting weights

### HANDLING OF CASTING WEIGHTS

The new lifting beam for casting weights made by VETTER is created to facilitate the process of weighting casting moulds. Also it makes this process much easier and considerably quicker.

The beam takes up the weight. In doing so, the two required brackets (in the depicted case red for 21 tons, green for 42 tons) move together and are pulled into the recesses of the weight (Fig. 1). Then, the weight is safely lifted and positioned on the mould (Fig. 2). This process is radio remote controlled and will be repeated until the required number of weights are positioned on the mould. Now, the preparations for successful casting are completed.

- › Capacities individually acc. to your requirements
- › Increase of safety-at-work
- › Considerably quicker process



Fig. 1: Recess with bracket

Fig. 2: Lifting the casting weight with the lifting beam



See how it works  
on YouTube!

E-Mail: [info@vettercranes.com](mailto:info@vettercranes.com)  
Fax +49 271 3502-299

Your contact details

### DATA OF YOUR MOULDING BOX

If you have different moulding boxes to be turned, please fill in the sketch for each box type.

Weight of the work piece

kg

Length x width x height

L       × W       × H       mm

Data of trunnions

D1       mm    D2       mm    D3       mm

Do you need a turning device with adjustable driving wheels?  
(different sizes of moulding boxes)

Yes     No

### DATA OF YOUR CRANE

Capacity of crane

kg

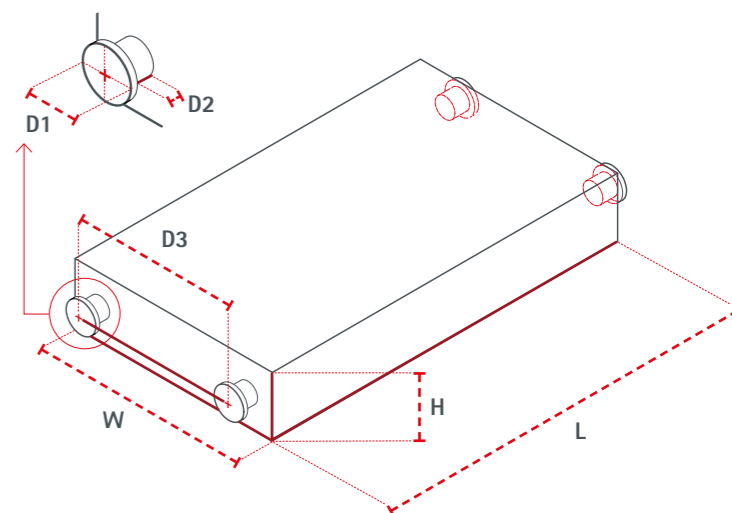
Size and kind of the crane hook

Single hook (DIN 15401)     Double hook (DIN 15402)

No.

Operation voltage on site

V      Hz



What will be the turning angle  
of the work piece?

90°     180°     360°

Available hook height (floor to the hook)

mm

Do you have 1 or 2 cranes available?

1 Crane     2 Cranes

Can crane 1 and crane 2 be used together?

Yes     No



ADMINISTRATION

VETTER Krantechnik GmbH  
Kalteiche-Ring 22  
35708 Haiger  
Germany

PRODUCTION

VETTER Krantechnik GmbH  
Kalteiche-Ring 13-15  
35708 Haiger  
Germany

T: +49 2773 91601-0  
F: +49 2773 91601-860  
E: info@vettercranes.com

